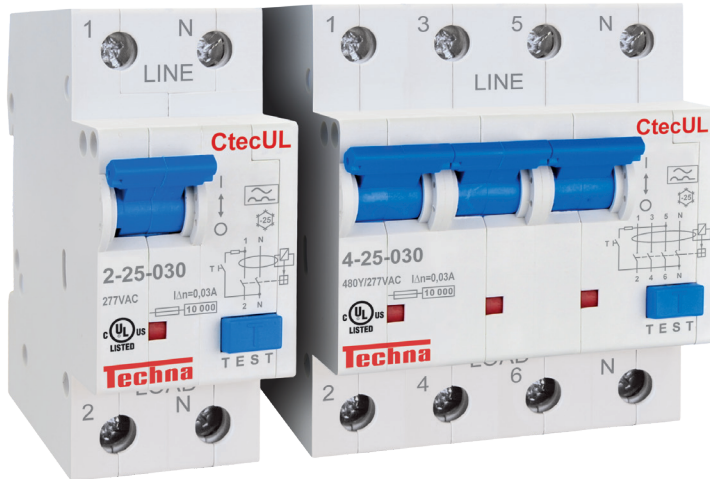
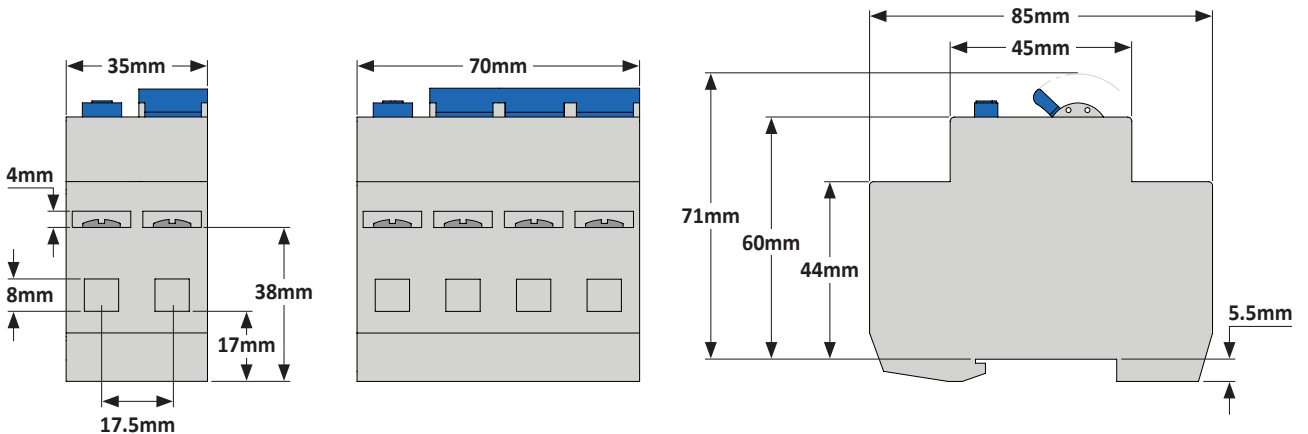


## CtecUL 25A - 63A

### 480Y/277Vac Equipment Ground Fault Protection Relay (RCCB)



The CtecUL series of Equipment Ground Fault Protection Relays (Earth Leakage Protection) is the latest addition to Techna's UL Listed product range, providing ground fault (residual current) protection for circuits with loads up to 63A with a short circuit interrupting capacity of 10kA.



#### CtecUL Technical Specification

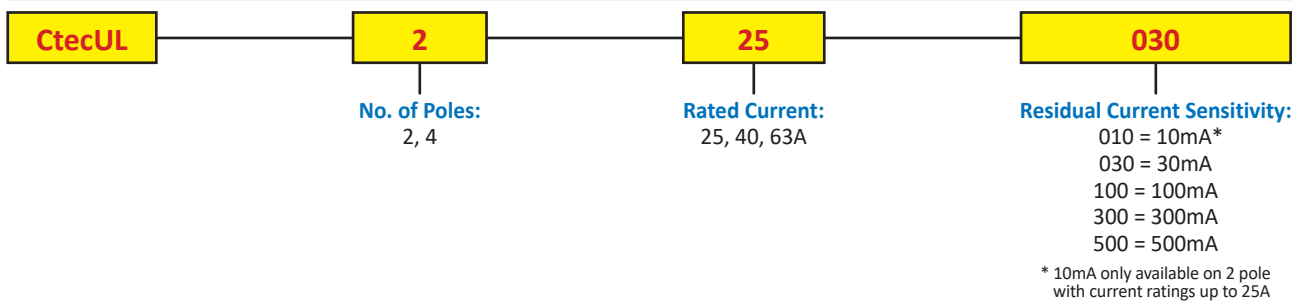
Number of Poles	2	4
Rated Voltage ( $U_n$ )	120 - 277 Vac	Up to 480Y/277 Vac
Rated Current	25, 40, 63A	
Rated Residual Operating Current ( $I_n$ )	10*, 30, 100, 300, 500mA	
Rated Frequency	50/60Hz	
Cable Size & Tightening Torque	Stranded wire sized 16 - 3 AWG (1.5mm <sup>2</sup> - 25mm <sup>2</sup> ) @ 17.5lb-in (2.0Nm)	
	Solid wire sized 16 - 10 AWG (1.5mm <sup>2</sup> - 5.5mm <sup>2</sup> ) @ 17.5lb-in (2.0Nm)	
	Solid wire sized 18 - 16 AWG (1mm <sup>2</sup> - 1.5mm <sup>2</sup> ) @ 25lb-in (2.8Nm)	
Electrical Life	6000 Switching Operations	
Mechanical Life	10000 Switching Operations	

\* 10mA only available on 2 pole with current ratings up to 25A

## CtecUL Interrupting Capacities

Voltage	Interrupt Rating	Series Backup Device
2 Pole 277 Vac	10kA	Class J Fuse 250A or lower
		Techna Jtec489 Branch Circuit Breaker
		Techna JtecUL Supplementary Protector
4 Pole 480Y/277 Vac	10kA	Class J Fuse 250A or lower
		Techna Jtec489 Branch Circuit Breaker
		Techna JtecUL Supplementary Protector

## CtecUL Ordering Scheme



## CtecUL Ground Fault Trip Curve

